



# Reveal system for windows and doors. Compatible with all claddings.

**vinyCom**

Do you think about giving your house a thick thermal insulation?

But you want the existing windows and doors to fit harmoniously into the new facade?



EASY TO  
CLEAN



MADE IN  
GERMANY

## Click and ready!

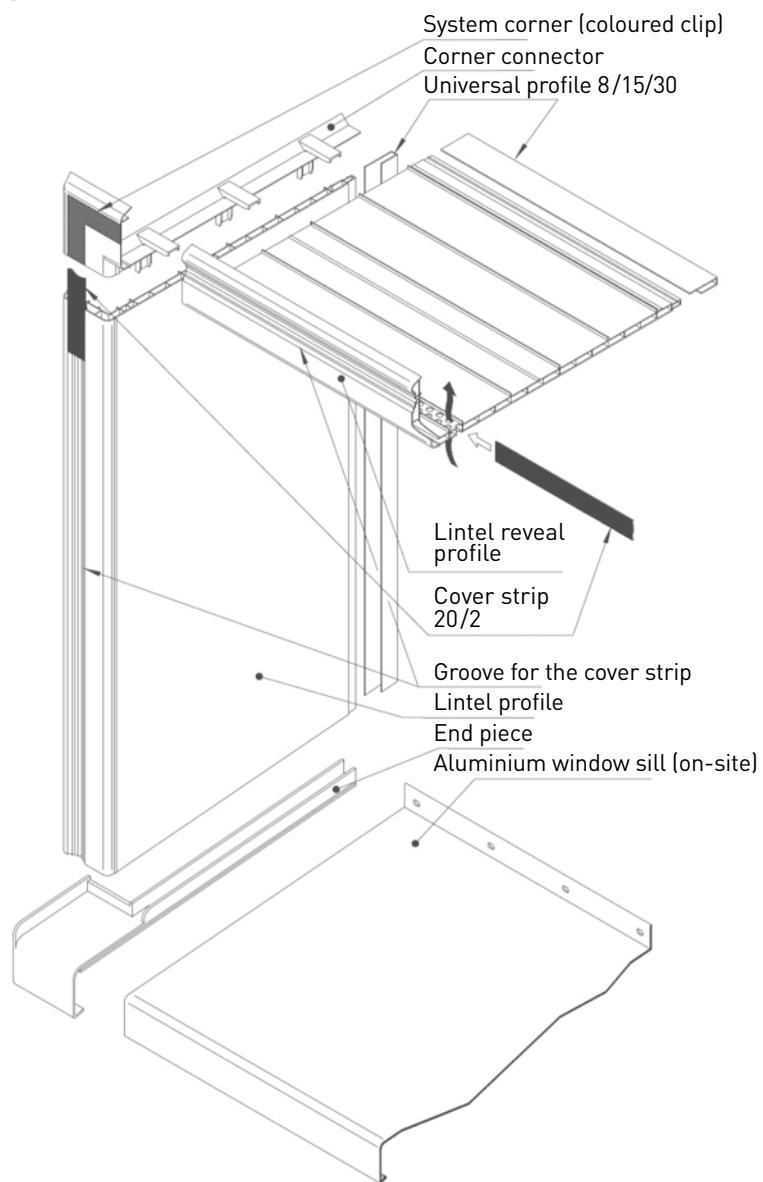
vinyCom window and door reveals are compatible with all standard claddings, regardless of whether it is made of fiber cement, HPL, natural stone or a thermal insulation composite system. vinyCom is therefore ideal for mixed facades. Window and door lintels are ventilated 100 % thanks to the vinyCom lintel. This is especially important for a permanent exchange of air, especially in thermally insulated houses. Another effect is that moisture can not occur. In combination with a ventilated facade, the entire structure is permanently protected.

# vinyCom Reveal system

- ≡ universally applicable
- ≡ saves installation time
- ≡ Design in detail
- ≡ naturally ventilated



MADE IN GERMANY



*The click and ready principle of vinyCom saves time-consuming cuts and fixings. Thanks to the vinyCom system corners, the reveal corners fit accurately to the millimetre even without mitre cuts. The cover strips are available in different colours. This lets you put colourful highlights on windows and doors.*