

Installation recommendation

vinyBoard & vinyBoard Design

CE-Declaration of Performance

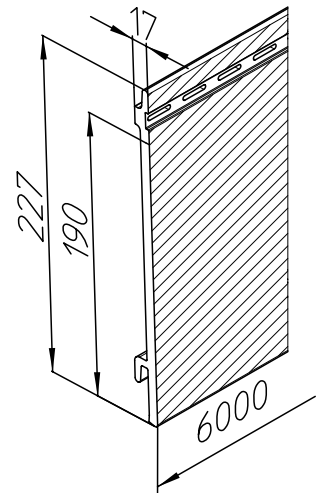
Properties of the construction product supplied correspond to the declared services of the CE Declaration of Performance vinyBoard, no. 2020-001

(Download: vinylit.de/downloads)



Planning & Execution

This document represents the manufacturers recommendation for installation only. Whilst all reasonable care is taken in compiling technical information, all recommendations regarding the use of products are made without guarantee since the conditions of use are beyond the control of Vinylit. It is the user's responsibility to satisfy himself that each product is fit for the purpose for which he intends to use it and that the actual conditions of use are suitable. The installer is obliged to check regarding the latest installation instruction and to consider the accepted technology rules, the regulations for facade mounting and the national standards, as well as to observe fire protection and statics.



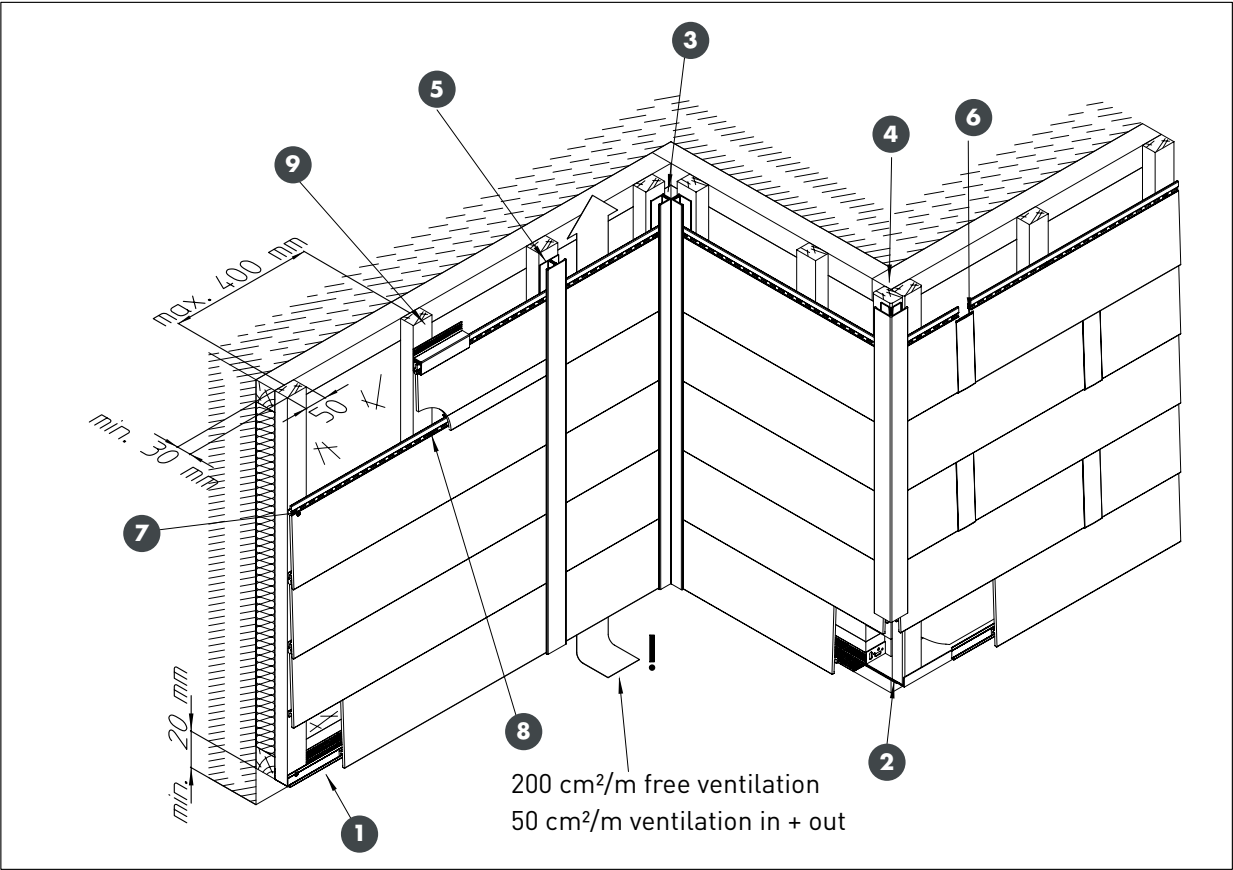
Storage

vinyBoard facades must be stored on level ground. Max. 4 pallets may be stacked. Make sure that the vertical bars are on top of each other. When storing it is necessary to protect the product particularly against dirt and direct exposure to sun or wet conditions. On opening the packs remove the packaging over the entire length.

Attention!

While assembling, please be aware of the need for continuous ventilation between vinyBoard cladding profiles and wall. According to DIN 18516-1, a free cross-section of at least 50 cm² per 1 m wall length must be maintained. A free cross-section of at least 200 cm²/m is required for continuous ventilation of the facade.

vinyBoard & vinyBoard Design



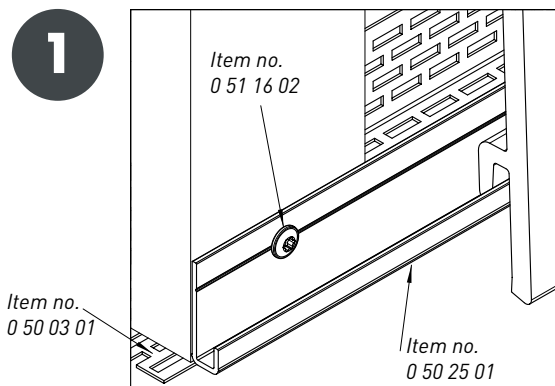
Sub-construction

For a conventional wooden sub-structure timber battens treated according to DIN 68800 or equivalent must be used. The base battens are anchored in the masonry using approved facade anchors. Thickness of the insulation material should be the same as the thickness of the base battens. In case of multiple battens, insulation material must be secured against sagging between vertical battens with insulation holders, in accordance with the instructions of the insulation manufacturer. Vertical or horizontal support battens (min. 30 mm x 50 mm) are connected to the base or counter battens at a distance of max. 40 cm with stainless steel screws. Battens must be aligned vertically and horizontally in one plane. Unevenness can be levelled out with assembly wedges (Item no. 0 50 12 29) (see page 6).

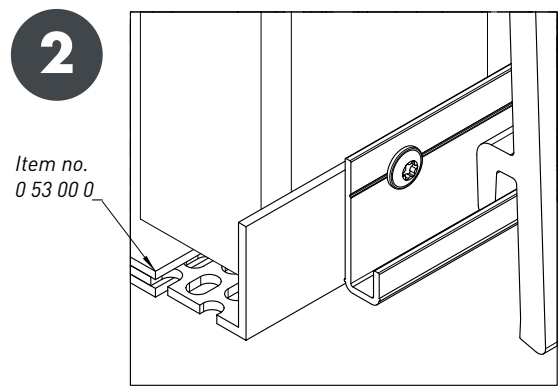
Installation

vinylBoard facades are preferably installed horizontally, from bottom to top, and connected with the tongue and groove interlocking system. Vertical joints from one panel to the next are covered by single joints or H-profiles at the profile ends. A starter profile (Item no. 0 50 25 01) is aligned horizontally to accommodate the lowest facade profile.

Starter profile and bottom vent



Base end profile Varix 60/90

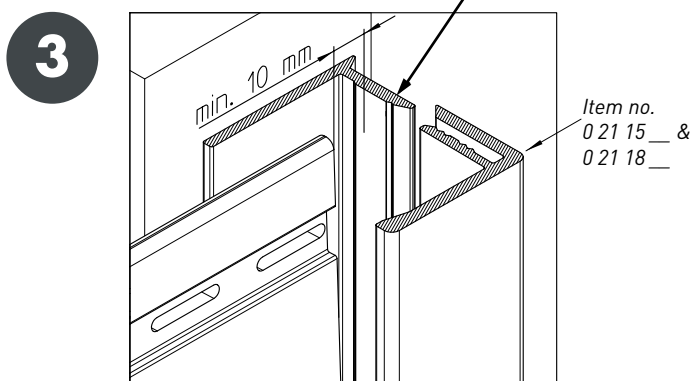


Upper and lower facade ends must be designed in such a way that ventilation of the facade is guaranteed. Ventilation cross-section required by the technical regulations is at least 50 cm² per 1 m wall length. Free rear ventilation cross-section is at least 200 cm² per meter. To prevent small animals from entering the ventilation space, a bottom vent profile (Item no. 0 50 03 01) is attached to the lower end of the facade. Alternatively, the Varix base end profile may be used. The entire substructure is covered by this. Ventilation profiles must have a distance of at least 20 mm from the floor.

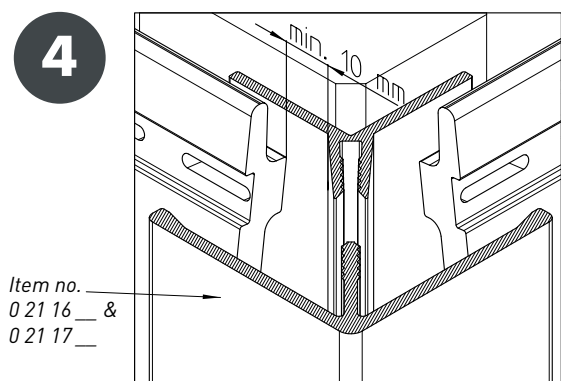
Attention!

Prior to fixing the vinylBoard facade profiles the under parts of the 2-part accessory profiles have to be fixed onto the sub-construction. Accessory profiles are to be fixed with countersunk head screws (Item no. 0 51 40 02) at least every 30 cm. Knock the visible front of the upper part into the under part with a rubber hammer.

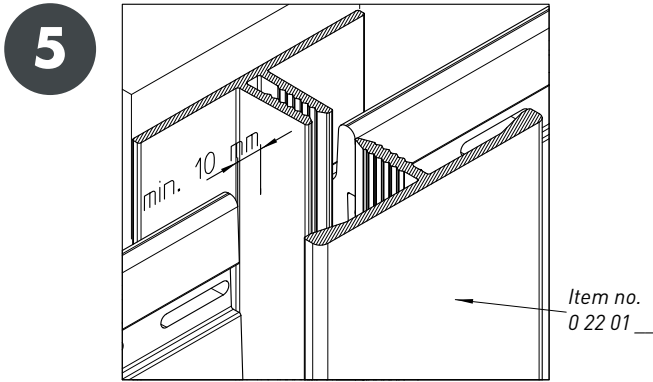
U-profile 2-part



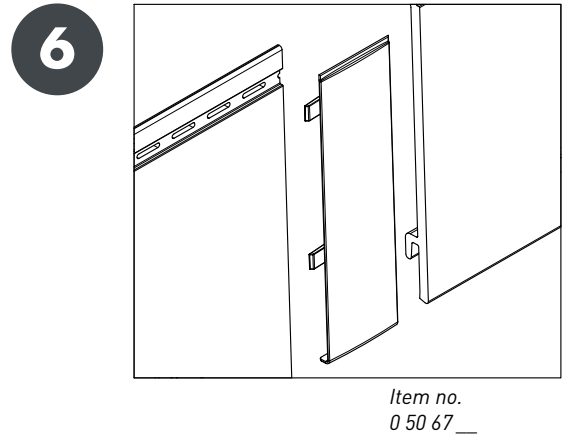
Corner profile 2-part



H-profile 2-part



vinylBoard joint



Attention!

With a temperature change of 10 °C – in the unassembled state – vinylBoard facade profiles shrink/expand by 0.6 mm per meter. This corresponds to a shrinkage or expansion of 3.6 mm for a profile 6000 mm long.

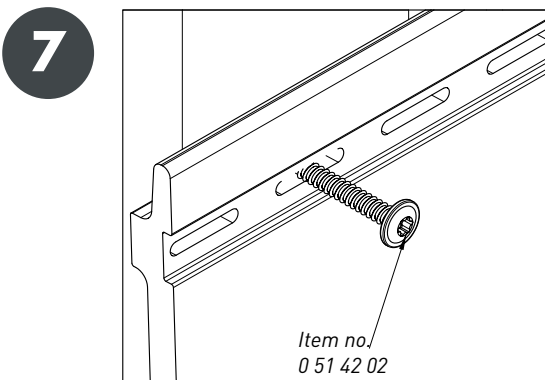
It is essential to ensure for expansion there is enough space at the profile ends to other fixed components. Space is min. 10 mm. The same applies to the installation of accessories.

vinylBoard facade profiles should not be installed below temperatures of 5 °C.

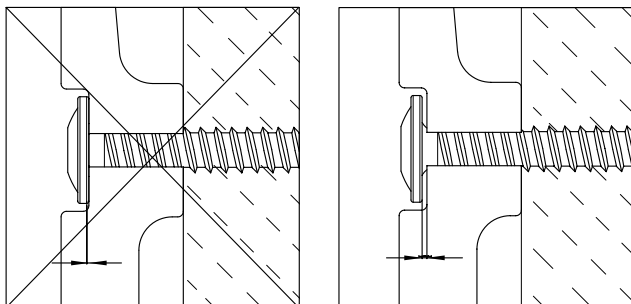
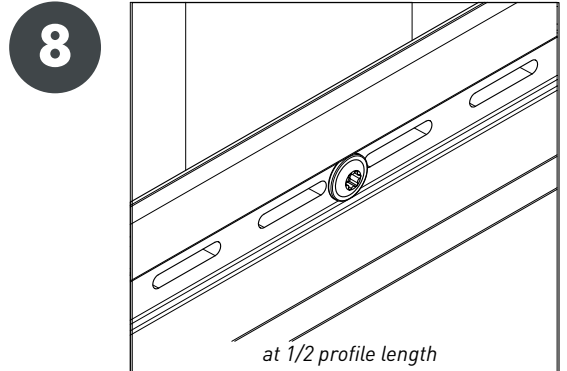
Fixing

Fixing of vinylBoard facade profiles takes place in the middle of the punched elongated holes on the upper edge of the profile. A fixed point must be set through the solid material at half the profile length. Stainless steel screws are to be used (Screw with button head 4 x 40 mm, Item no. 0 51 42 02). Ca. 15 screws/m² are required.

Fastening screw



Fixed point

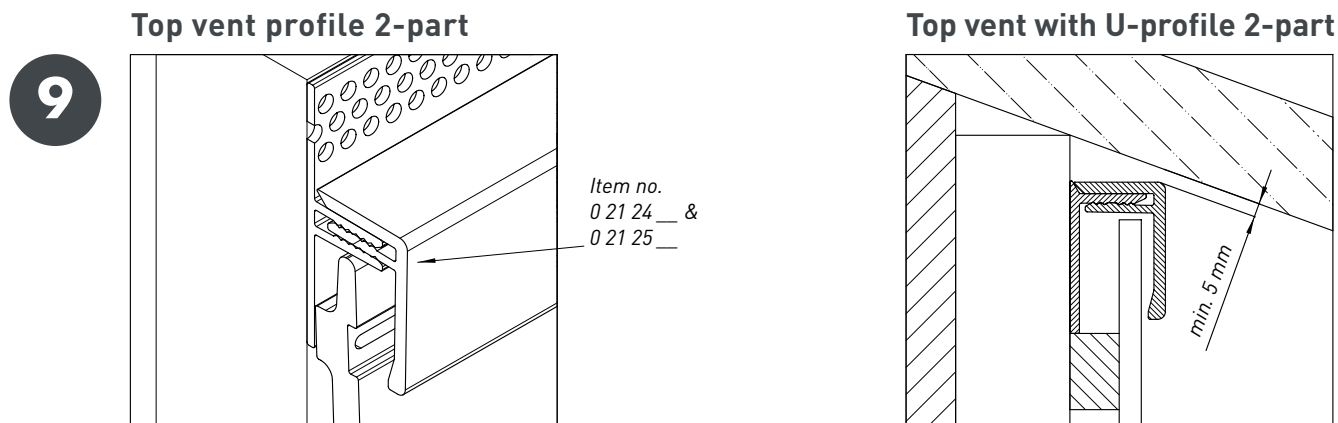


Fastening screws must each sit in the middle of the elongated holes and must not be tightened under tension.

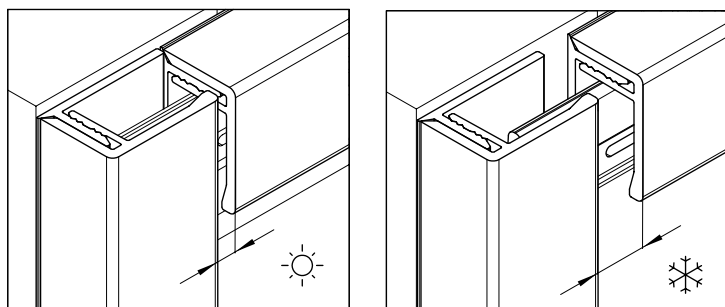
Upper facade finish

To cover the cut edge and for ventilation, a 2-part top vent profile (Item no. 0 21 24 __ & 0 21 25 __) with ventilation openings is installed at the top of the facade.

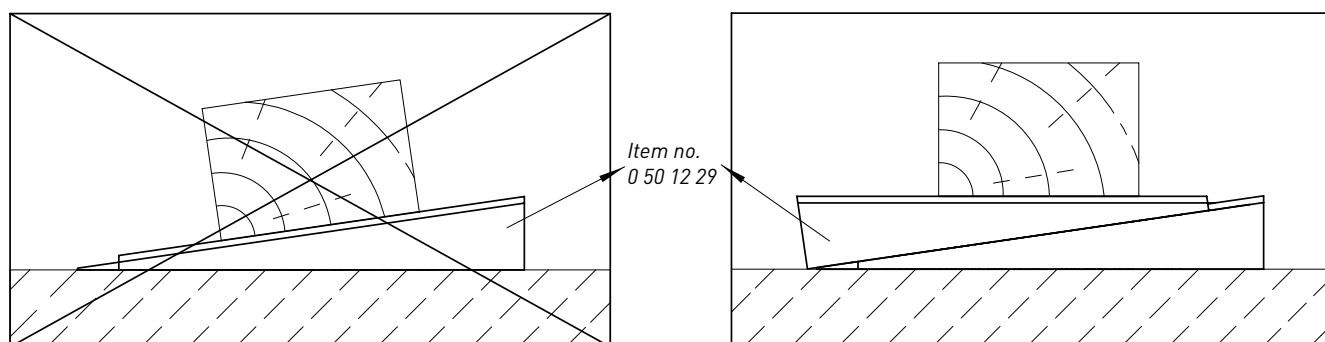
Alternatively, a 2-part U-profile can be used to cover cut edges. A sufficient distance to adjacent components must be left for ventilation.



When temperature rises the accessory profiles are also subject to thermal expansion. It is essential to ensure for expansion there is enough space at the profile ends to other fixed components. The upper parts of vertically mounted 2-part accessory profiles are to be fixed to prevent slipping in the upper area, e.g. with assembly adhesive, silicone or screws.



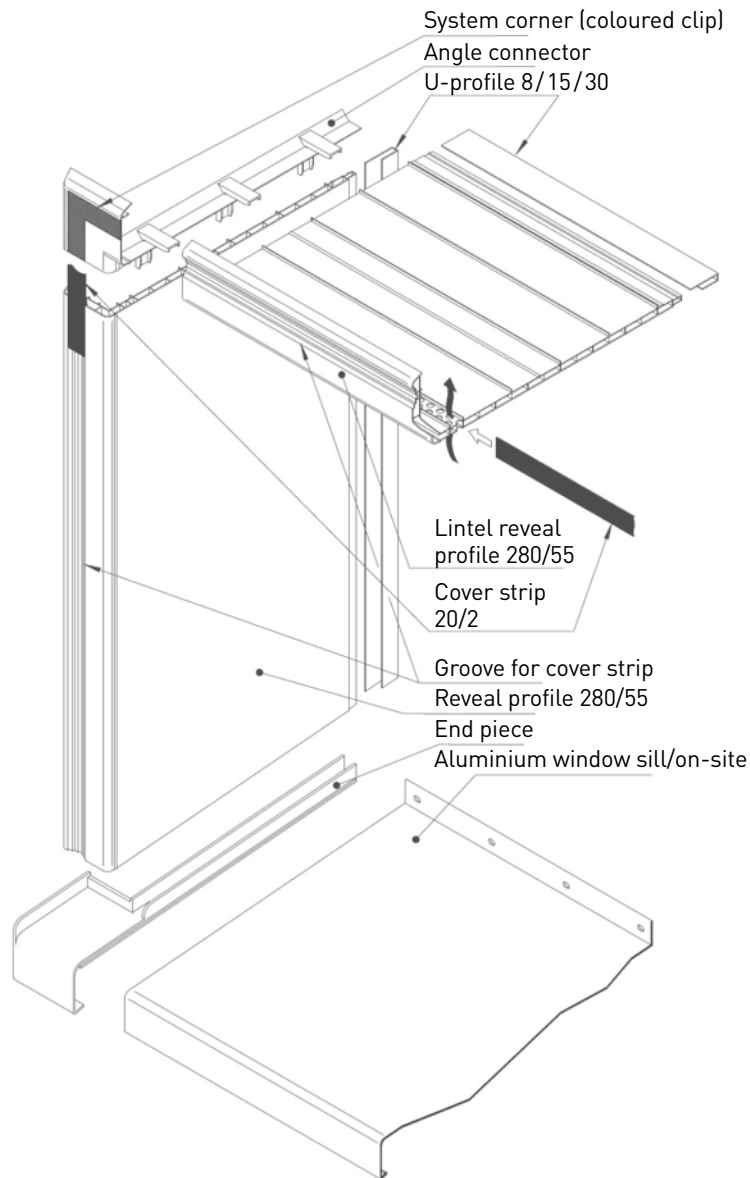
Assembly wedge



Unevenness in a wall can be levelled out with assembly wedges. Avoid twisting the battens. If facade profiles are mounted on twisted or uneven substructures, warping can occur.

Framing of windows & doors

The vinyCom reveal system is used to line the window and door reveals.



A gap of at least 5 mm must be left between the upper edge of the Vinylit facade profile and the lower edge of the window sill to ventilate the facade surface under the window sill. In order to avoid soiling the facade surface, we recommend a window sill overhang of at least 3 cm - 4 cm and the installation of window sill end pieces (Item no. 0 63 60 __).

General information

Use

vinylBoard facades are made from high-grade plastics in an environmentally-friendly manner with a wood embossed surface texture. The hard outer layer is extremely resistant to atmospheric influences and very durable. Alternatively vinylBoard Design is filmed with a durable, weather + UV resistant foil, developed for long-term exterior applications.

Color consistency, production errors & damage

vinylBoard facade profiles bear the manufacturing date on the back. In order to ensure facade surfaces are largely identical in color, it must be ensured that only panels from the same date of manufacture are used for each elevation. Incorrect profiles are to be sorted out and exchanged free of charge if the complaint is justified. The person carrying out the work is responsible for already assembled, defective profiles.

Treatment

vinylBoard facade profiles and accessory profiles must not be rubbed against each other with the visible side resp. foiled visible side. Do not bring any hard or sharp objects into contact with the visible side. Do not place scaffolding, ladders, etc. against the facade and accessory profiles.

Execution and Cutting

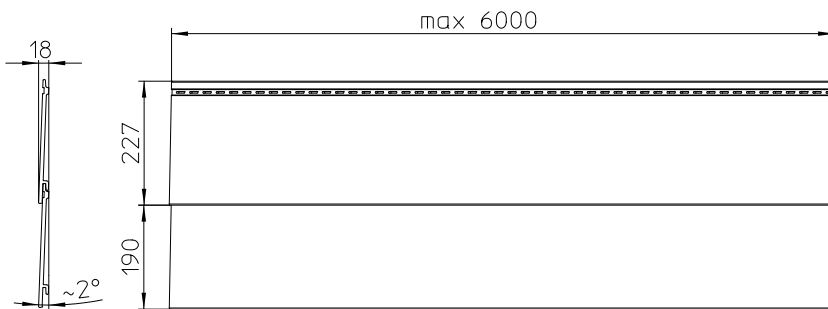
vinylBoard facades can be sawn or drilled using traditional joinery tools and methods.

Care instructions

Remove light soiling with water (water spray/dust). Cleaning of greasy soiling with commercially available cleaning agents. No abrasives or solvents. No further maintenance is necessary.

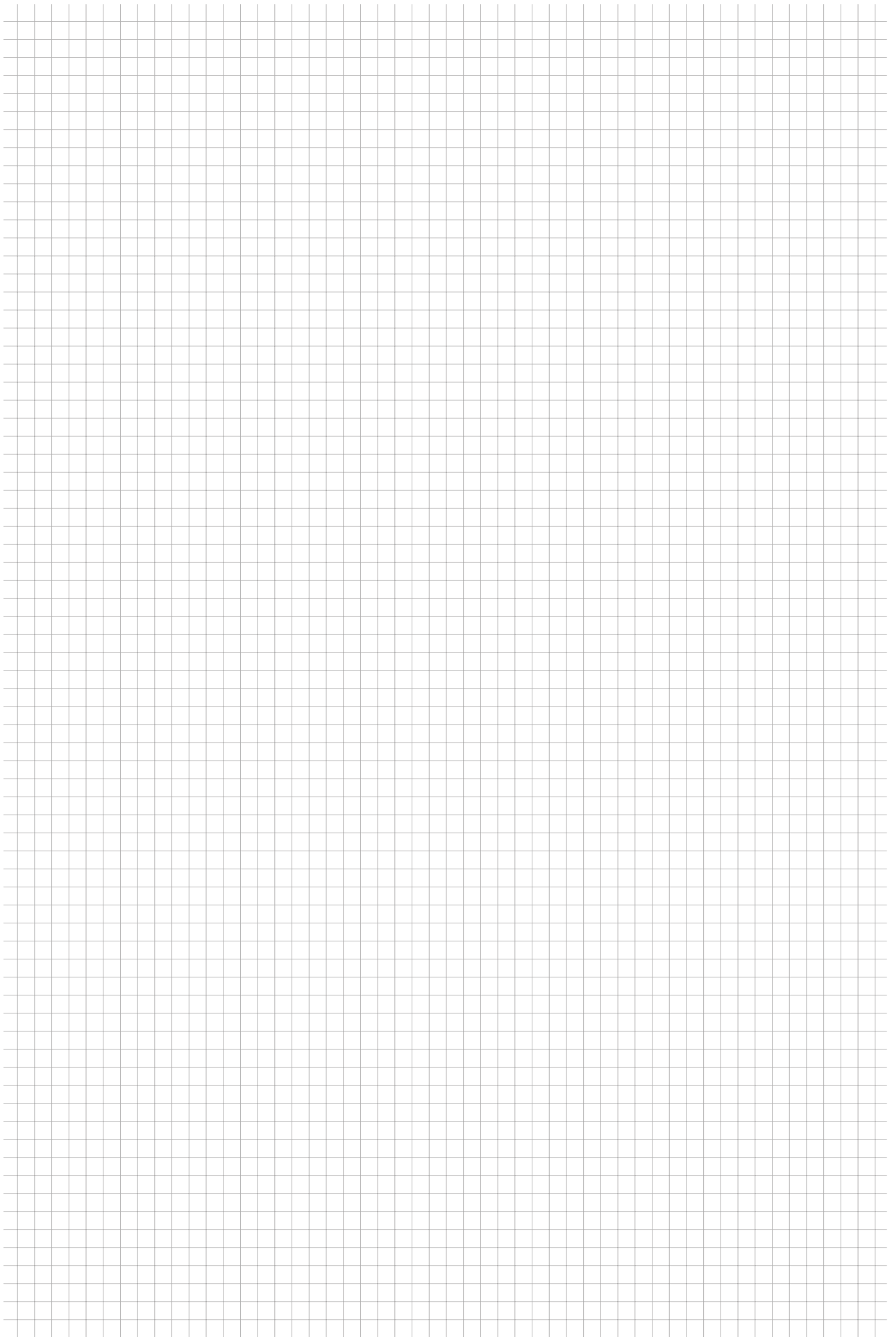
Technical data

Profile width	227 mm	
Cover width	190 mm	
Thickness	17 mm	
Length	6000 + 10 mm	
Weight	ca. 5.1 kg/m ²	
Raw density profile	0.5 g/cm ³	DIN EN ISO 845
Raw density facing	1.5 g/cm ³	
Coefficient of linear expansion	ca. 0.06 mm/mK	ISO 11359-2
Impact strength code	[23.10]	DIN EN 13245-2



Notes

A large grid of graph paper for taking notes, consisting of 20 columns and 40 rows of small squares.



Vynylit Fassaden GmbH
Gobietstraße 10
D-34123 Kassel
Tel.: +49 (0) 561 9591-5
Fax: +49 (0) 561 9591-302
info@vynylit.de
vynylit.com