



Stone on stone.

vinylStone Facade profiles coated – Plaster/Natural stone texture

Give your house a valuable cladding. vinylStone profiles are coated with a high-quality natural stone granulate. Surface structure and T-joints give the appearance of a natural stone wall. The ventilated facade gives your house the perfect weather protection, heat-insulated and sound-proofed protection. vinylStone is available in two versions, the classic vinylStone 400 and the modern vinylStone Design. The facade profiles are available in assembly and transport-friendly lengths of 1.20 m.

Combine different natural stone surfaces and decorative shades with one another. This will give your house an elegant appearance.



30 YEARS OF WARRANTY



ENERGY EFFICIENCY



RECYCLED PLASTIC



EASY TO CLEAN



REDUCTION EMISSION

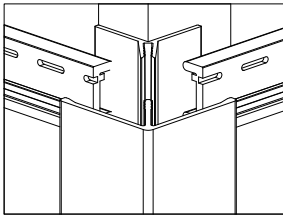


DESIGNED & MADE IN GERMANY

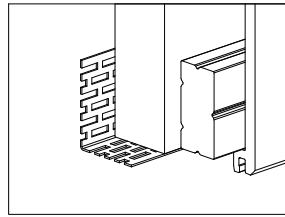
Sustainability from one source.

Facade profiles, complete and color matching accessories and fixings. Vinylit facade systems can be completely recycled. This is sustainability!

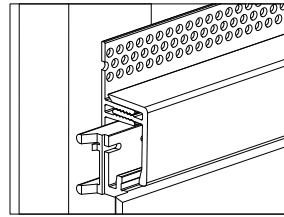




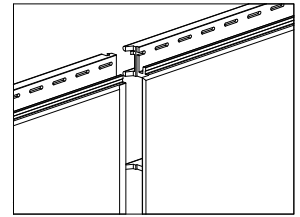
Corner profile



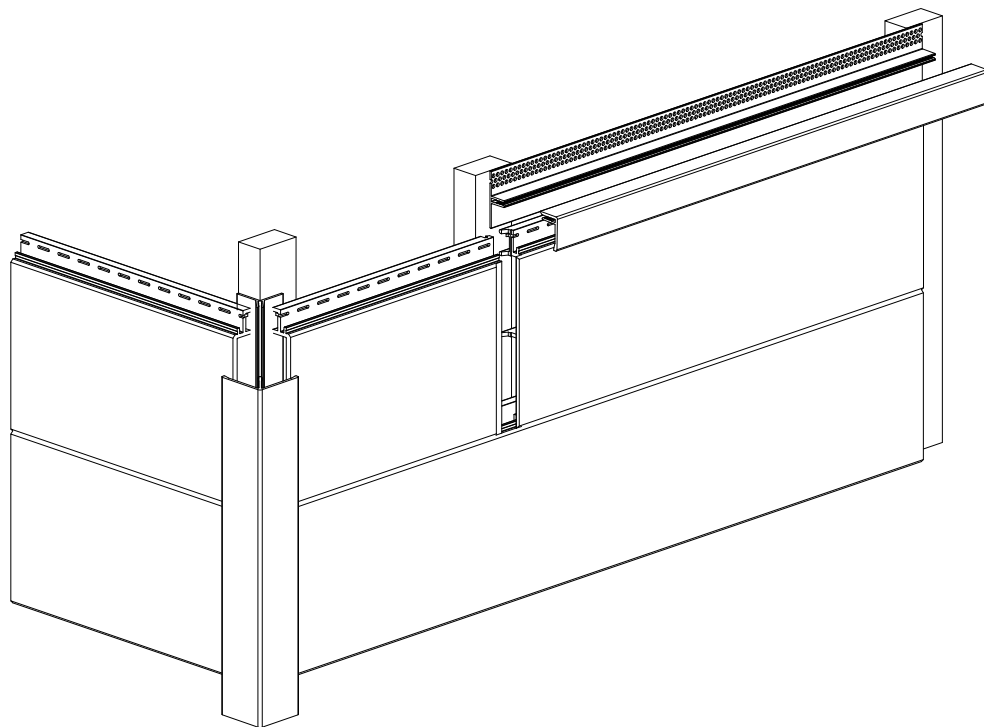
Vent profile and space trim



Top vent profile



Connection



Tirol



Toscana



Sahara



Granit



Gotland



Basalt

Installation recommendation



Further decors

