



## Timeless natural stone surface.

**vinyStone** *Plaster/Natural stone texture bonded*

Surface texture and T-joint give the impression of a wall built with natural stones. The ventilated facade gives your house the perfect weather protection. vinyStone is available in two versions, the classic vinyStone 400 and the modern vinyStone Design. The facade profiles are available in assembly and transport-friendly lengths of 1.20 m.



30 YEARS OF WARRANTY



ENERGY EFFICIENCY



RECYCLED PLASTIC



EASY TO CLEAN

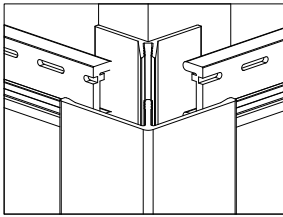


REDUCTION EMISSION

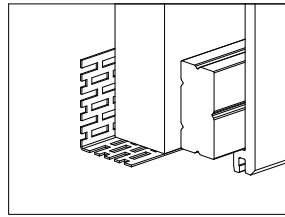


DESIGNED & MADE IN GERMANY

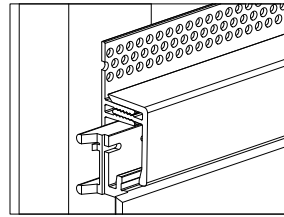




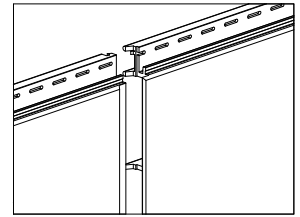
Corner profile



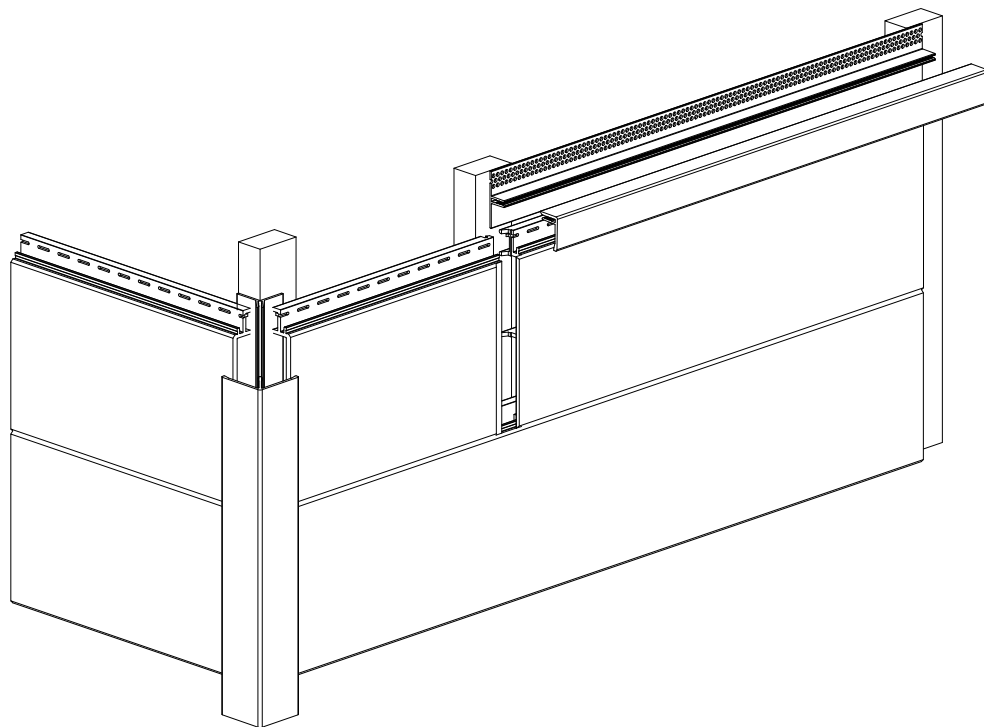
Vent profile and space trim



Top vent profile



Connection



Tirol



Toscana



Sahara



Granit



Gotland



Basalt

Installation recommendation



Further decors

